

Product Information

**In-line Fitting
 EA1200 / EA2200**



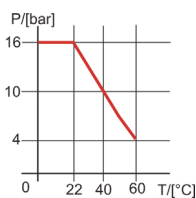
Characteristics

For flow fittings with outer pipe diameter from 20mm up to 63 mm. This In-line fitting has been designed for electrochemical cells like pH/ORP-, conductivity-cells with PG13.5 process connection. It protects the sensor and ensures a proper measurement. The fitting fits for operating at the flow-fitting DFA32. The application field includes swimming pools technology and drinking water measurement.

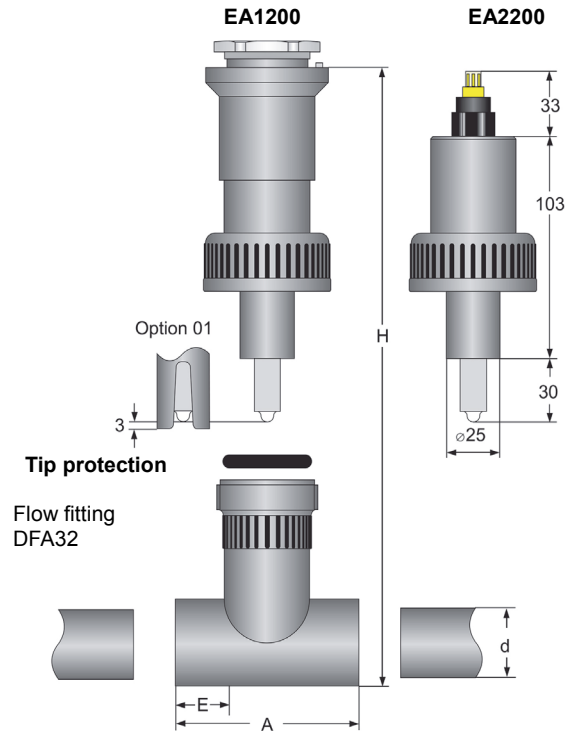
Technical data

Sensor connection : PG13.5
 Process connection : screw cap for adhesive coupling
 Process material : PVC-U acc. to DIN 8061 and 8062
 Screw cap : PVC-U
 Operating temperature : 0..60 °C
 Process pressure : max. 16 bar at 22 °C

Pressure-temperature table PVC-U



Dimensions



Dimensions [mm]

d	H	A	E
20	180	78	22
25	180	78	22
32	180	78	22
40	192	98	26
50	202	118	31
63	216	144	38

Ordering code

EA 1. - 2. - 3.

1. Model	1200	head mounting at UNICON-pH, incl. cap nut
	2200	field mounting, incl. cap nut
2. Sensor type	0	standard pH / ORP combined-electrodes
3. Options	00	without option
	01	with integrated tip protection (only for pH and ORP combined-electrodes)
Accessories	flow fitting DFA32 material PVC-U	
	DFA32-20-1-1	outer pipe diameter d=20 mm
	DFA32-25-1-1	outer pipe diameter d=25 mm
	DFA32-32-1-1	outer pipe diameter d=32 mm
	DFA32-40-1-1	outer pipe diameter d=40 mm
	DFA32-50-1-1	outer pipe diameter d=50 mm
	DFA32-63-1-1	outer pipe diameter d=63 mm